

## STA3A-2131A024L024RC18 (REND. SZ. 099658)

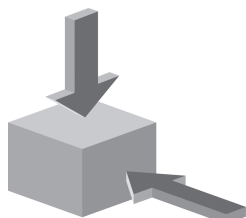
Safety switch STA, plug connector RC18, with door monitoring contact

- ▶ Auxiliary release on the front
- ▶ With door monitoring contact
- ▶ Plug connector M23 (RC18)



## ISMERTETÉS

Approach direction



Figure

Horizontal and vertical

Can be adjusted in 90° steps

Solenoid operating voltage

- ▶ AC/DC 24 V +10%, -15%

LED function display

A function display (2 LEDs, red and green) is available for the following voltage ranges:

- ▶ AC/DC 24 V +10%, -15%

Guard locking type

STA3 Closed-circuit current principle, guard locking by spring force. Release by applying voltage to the guard locking solenoid.

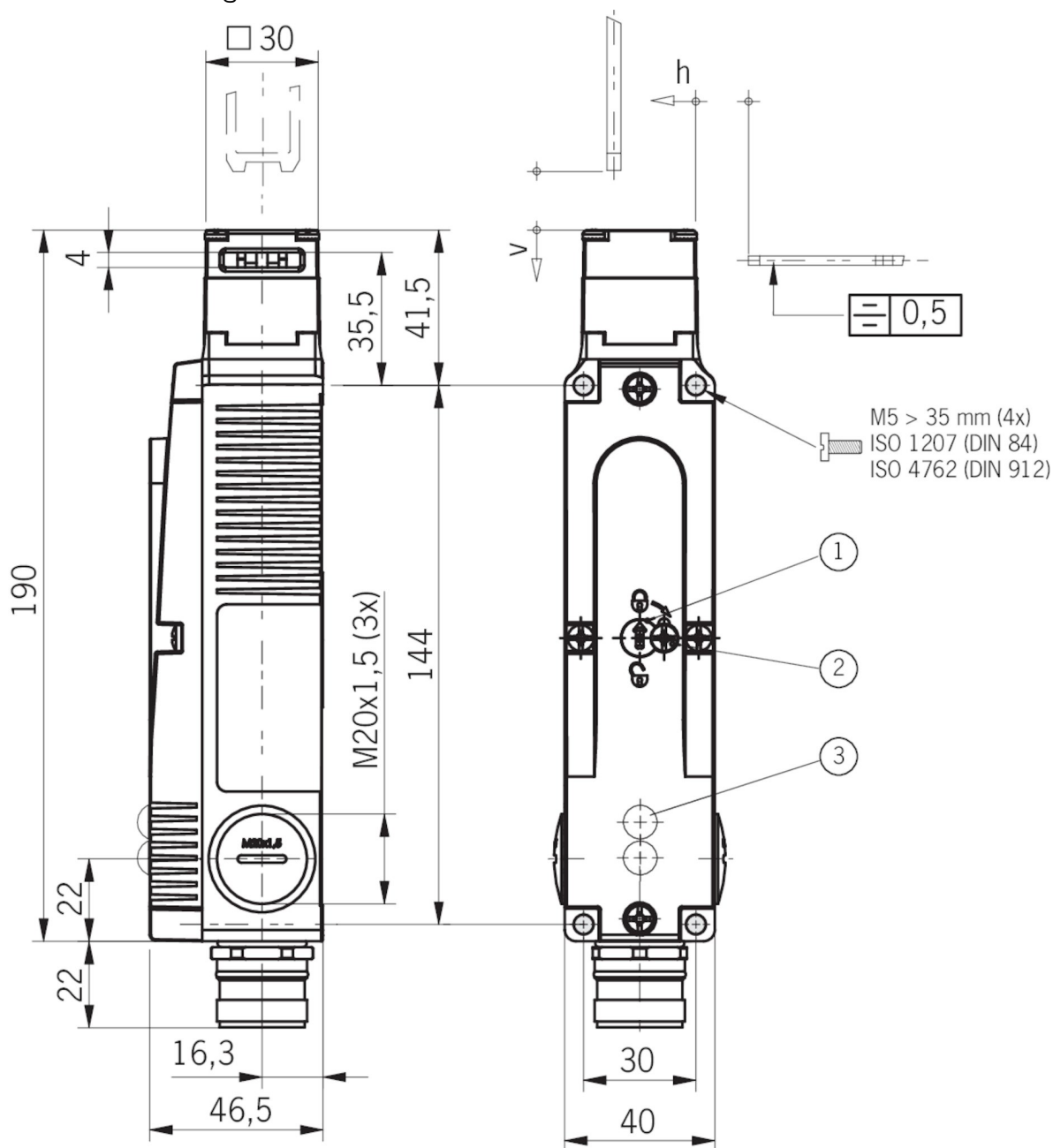
Switching element

2131 Slow-action switching contact 2 NC (⊖) + 1 NO + 1 NC (door monitoring contact)

## Auxiliary release

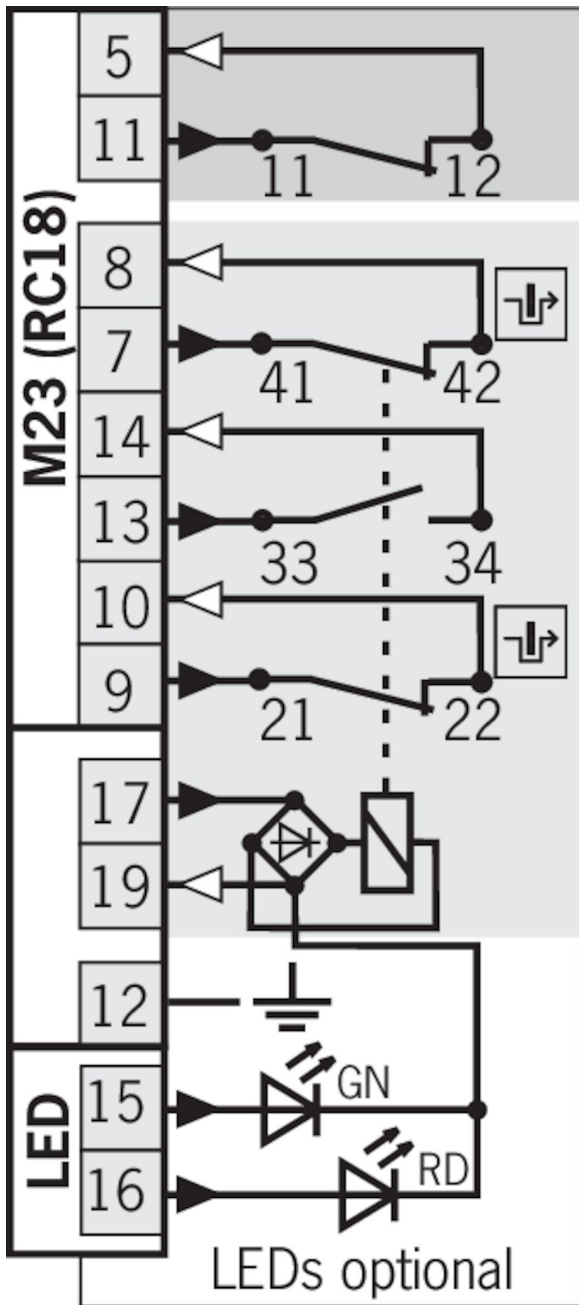
Is used for releasing the guard locking with the aid of a tool. To protect against tampering, the auxiliary release is sealed with sealing lacquer.

## Dimension drawing



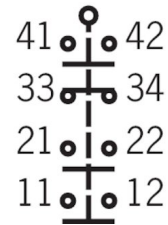
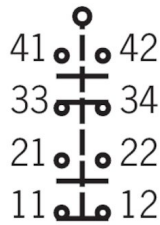
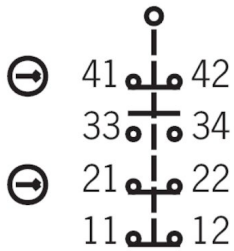
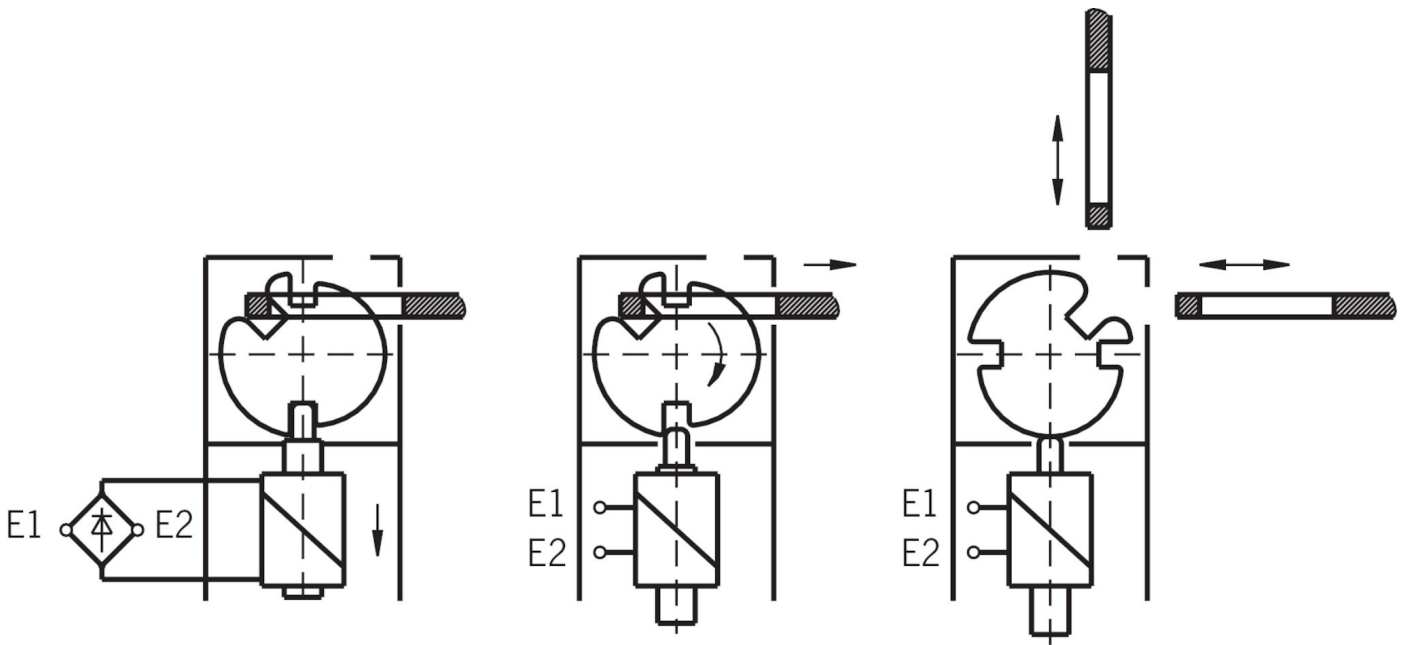
- 1 Auxiliary release
- 2 Locking screw
- 3 LED indicator

2131



- Solenoid monitoring
- Door monitoring

Switching functions



2131

## MŰSZAKI ADATOK

Engedélyezések



Mechanikai értékek és környezet

|  |                                       |
|--|---------------------------------------|
| Housing material   | Housing Alloy - die-cast              |
| Weight   | Net 0,6 kg                            |
| Ambient temperature  | -20 ... 70 °C                         |
| Degree of protection                                       | IP65                                  |
| Mechanical life  | 1 x 10 <sup>6</sup>                   |
| Contact material   | Silver alloy, gold flashed            |
| Switching principle  | Slow-action switching contact         |
| Installation orientation                                   | Any                                   |
| Number of door position NC contacts                        | 1                                     |
| Number of guard lock monitoring positively driven contacts | 2                                     |
| Number of guard lock monitoring NO contacts                | 1                                     |
| Connection   | 1 x Plug connector RC18 (18-pin + PE) |
| Approach speed   | max.20 m/min                          |
| Actuation frequency  | max.1200 1/h                          |
| Guard locking principle                                    | Closed-circuit current principle      |
| Locking force F <sub>max</sub>                             | 3000 N                                |
| Locking force F <sub>Zh</sub>                              | 2300 N                                |
| Retention force  | 20 N                                  |
| Extraction force   | 30 N                                  |
| Actuating force  | 35 N                                  |
| Insertion depth  | min.24,5 mm                           |
| <b>Elektromos csatlakoztatási értékek</b>                  |                                       |
| Thermal rated current I <sub>th</sub>                      | 4 A                                   |
| Utilization category according to EN 60947-5-1             |                                       |
|  | AC-15 4A 50V                          |
|  | DC-13 4A 24V                          |
| Solenoid operating voltage                                 |                                       |
|  | AC/DC 24 V -15% ... +10%              |
| Short circuit protection according to IEC 60269-1          | 4A gG                                 |
| Rated insulation voltage U <sub>i</sub>                    | 50 V                                  |
| Rated impulse withstand voltage U <sub>imp</sub>           | 1,5 kV                                |
| Switching voltage  |                                       |
|  | Min. at 10mA 12 V                     |
| Switching current  |                                       |
|  | Min. at 24V 1 mA                      |
| Power consumption  | 8 W                                   |
| Solenoid duty cycle  | 100 %                                 |
| Display module   | 24 V -15% ... +10%                    |

Megbízhatósági értékek az EN ISO 13849-1 szerint

| Control of the guard locking                              |  |
|---|--|
| Category  | Depending on external control of guard locking<br>(LEDs have the same ground potential as the guard locking solenoid.) |
| Performance Level   | Depending on external control of guard locking<br>(LEDs have the same ground potential as the guard locking solenoid.) |
| PFH <sub>D</sub>  | Depending on external control of guard locking<br>(LEDs have the same ground potential as the guard locking solenoid.) |
| Monitoring of guard locking and the safety guard position |  |
| B10 <sub>D</sub>  | 11,5 x 10 <sup>6</sup>   |

In combination with Actuator BETAETIGER-S-GT-SN

Mechanical values and environment

Overtravel 5 mm

## TARTOZÉKOK

### Actuator

Actuator L, bent, for safety switches SGA/SGP/STA/STP/STM for insertion funnel



**095741**  
BETAETIGER-S-WQT-LN

- ▶ Two safety screws included
- ▶ Actuators with rubber bushings

Actuator L for safety switches SGA/SGP/STA/STP/STM for insertion funnel



**095739**  
BETAETIGER-S-GT-LN

- ▶ Two safety screws included
- ▶ Actuators with rubber bushings

Actuator S, bent, for safety switches SGA/SGP/STA/STP/STM



**095740**  
BETAETIGER-S-WQT-SN

- ▶ Two safety screws included

Actuator S for safety switches SGA/SGP/STA/STP/STM



**097861**  
BETAETIGER-S-G-SN-C2115

- ▶ Two safety screws included
- ▶ Physically compatible with TP actuator P-G



**095738**  
BETAETIGER-S-GT-SN

- ▶ Two safety screws included
- ▶ Actuators with rubber bushings

## Hinged actuator L left/right, for safety switches SGA/SGP/STA/STP/STM for insertion funnel

---



**096844**  
RADIUSBETAETIGER-S-LR-LN

- ▶ Actuators made of stainless steel
- ▶ Two stainless safety screws per actuator
- ▶ For doors hinged on right and left

## Hinged actuator L top/bottom, for safety switches SGA/SGP/STA/STP/STM for insertion funnel

---



**096697**  
RADIUSBETAETIGER-S-OU-LN

- ▶ Actuators made of stainless steel
- ▶ Two stainless safety screws per actuator
- ▶ For doors hinged at top and bottom

## Hinged actuator S left/right for safety switches SGA/SGP/STA/STP/STM

---



**096838**  
RADIUSBETAETIGER-S-LR-SN

- ▶ Actuators made of stainless steel
- ▶ Two safety screws included
- ▶ For doors hinged on right and left

## Hinged actuator S top/bottom for safety switches SGA/SGP/STA/STP/STM

---



**095315**  
RADIUSBETAETIGER-S-OU-SN

- ▶ Actuators made of stainless steel
- ▶ Two safety screws included
- ▶ For doors hinged at top and bottom

**Bolt**

## Bolt BTC-ST/G... without escape release for safety switches STA, STP, SGP and SGA

---



**106284**  
BTC-ST/G-S-TH-00-X

- ▶ Aluminum bolt
- ▶ For doors hinged on the left or right
- ▶ Can be locked in open position with padlocks
- ▶ Actuator included

## Bolt S... for safety switches STA, STP, SGP and SGA

---



**096385**  
RIEGEL S-C

- ▶ Steel bolt
- ▶ For doors hinged on the left
- ▶ Can be locked in open position with padlocks
- ▶ Actuator included



**096384**  
RIEGEL S-A

- ▶ Steel bolt
- ▶ For doors hinged on the right
- ▶ Can be locked in open position with padlocks
- ▶ Actuator included

## Bolt STP-GFK for safety switches STA, STP, SGP and SGA

---



**098121**  
RIEGEL STP-GFK

- ▶ Fiber glass reinforced plastic bolt
- ▶ For doors hinged on the left or right
- ▶ Can be locked in open position with padlocks
- ▶ Actuator included

## Connection material

### Connection cable with plug connector M23 with option C1825, 1.5m, straight

---



**092761**  
C-M23F19-19XDIFPU01,5-MA-092761

- ▶ M23 plug connector, 18-pin + PE
- ▶ Straight plug connector
- ▶ PUR cable
- ▶ Cable length 1.5 m
- ▶ With flying lead
- ▶ Cores color-coded

### Connection cable with plug connector M23 with option C1825, 6m, straight

---



**077014**  
C-M23F19-19XDIFPU06,0-MA-077014

- ▶ M23 plug connector, 18-pin + PE
- ▶ Straight plug connector
- ▶ PUR cable
- ▶ Cable length 6 m
- ▶ With flying lead
- ▶ Cores color-coded

### Connection cable with plug connector M23 with option C1825, 8m, straight

---



**077015**  
C-M23F19-19XDIFPU08,0-MA-077015

- ▶ M23 plug connector, 18-pin + PE
- ▶ Straight plug connector
- ▶ PUR cable
- ▶ Cable length 8 m
- ▶ With flying lead
- ▶ Cores color-coded

### Connection cable with plug connector M23 with option C1825, 10m, straight

---



**077016**  
C-M23F19-19XDIFPU10,0-MA-077016

- ▶ M23 plug connector, 18-pin + PE
- ▶ Straight plug connector
- ▶ PUR cable
- ▶ Cable length 10 m
- ▶ With flying lead
- ▶ Cores color-coded





**092898**  
C-M23F19-19XDIFPU10,0-MA-092898

- ▶ M23 plug connector, 18-pin + PE
- ▶ Straight plug connector
- ▶ PUR cable
- ▶ Cable length 10 m
- ▶ With flying lead
- ▶ Cores color-coded

### Connection cable with plug connector M23 with option C1825, 15m, straight

---



**077016**  
C-M23F19-19XDIFPU15,0-MA-077016

- ▶ M23 plug connector, 18-pin + PE
- ▶ Straight plug connector
- ▶ PUR cable
- ▶ Cable length 15 m
- ▶ With flying lead
- ▶ Cores color-coded

### Connection cable with plug connector M23 with option C1825, 20m, straight

---



**092726**  
C-M23F19-19XDIFPU20,0-MA-092726

- ▶ M23 plug connector, 18-pin + PE
- ▶ Straight plug connector
- ▶ PUR cable
- ▶ Cable length 20 m
- ▶ With flying lead
- ▶ Cores color-coded

### Connection cable with plug connector M23 with option C1825, 25m, straight

---



**092727**  
C-M23F19-19XDIFPU25,0-MA-092727

- ▶ M23 plug connector, 18-pin + PE
- ▶ Straight plug connector
- ▶ PUR cable
- ▶ Cable length 25 m
- ▶ With flying lead
- ▶ Cores color-coded

### Connection cable with plug connector M23 with option C1825, 30m, straight

---



**095993**  
C-M23F19-19XDIFPU30,0-MA-095993

- ▶ M23 plug connector, 18-pin + PE
- ▶ Straight plug connector
- ▶ PUR cable
- ▶ Cable length 30 m
- ▶ With flying lead
- ▶ Cores color-coded

### Connection cable with plug connector M23 with option C1825, 40m, straight

---



**102490**  
C-M23F19-19XDIFPU40,0-MA-102490

- ▶ M23 plug connector, 18-pin + PE
- ▶ Straight plug connector
- ▶ PUR cable
- ▶ Cable length 40 m
- ▶ With flying lead
- ▶ Cores color-coded

### Female connector RC18 angled with option C1825

---



**077026**  
RC18WF-C1825

- ▶ Plug connector M23, angled
- ▶ Number of pins: 19-pin with screen bonding clamp

### Female plug RC18 angled

---

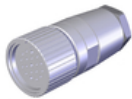


**074617**  
RC18WF

- ▶ Plug connector M23, angled
- ▶ Number of pins: 19-pin with screen bonding clamp

## Female plug RC18 straight

---

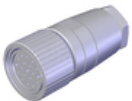


**074616**  
RC18EF

- ▶ Plug connector M23, straight
- ▶ Number of pins: 19-pin with screen bonding clamp

## Female plug RC18 straight with option C1825

---



**077025**  
RC18EF-C1825

- ▶ Plug connector M23, straight
- ▶ Number of pins: 19-pin with screen bonding clamp

## Replacement crimp contacts for female connector RC18

---

**094309**  
CRIMPKONTAKT BUCHSE RCF

- ▶ 19 crimp sockets
- ▶ Conductor cross-section 19 x 0.75 - 1 mm<sup>2</sup>
- ▶ For plug connector RC18

## Replacement crimp contacts for female connector RC18 with option C1825

---

**094310**  
CRIMPKONTAKT BUCHSE RCF-C1825

- ▶ 19 crimp sockets
- ▶ Conductor cross-section 16 x 0.25 - 0.5 mm<sup>2</sup> and 3 x 0.75 - 1 mm<sup>2</sup>
- ▶ For plug connector RC18..C1825

## Function expansion

### Built-in LED, light shines to front

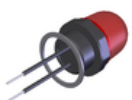
---



**095510**  
EINBAULEUCHTE LED-F M20X1,5

### Built-in LED, light shines to side

---



**087423**  
EINBAULEUCHTE LED M20X1,5

## Emergency unlocking for safety switches STA

---



**099876**  
NOTENTSPERRUNG STA

## Handle for escape release for safety switches TP/STP/STA

---



**105329**  
FE-GRIFF

## Insertion funnel for safety switches SGP/STA/STP/STM/SGA

---



**093157**  
EINFUEHRTRICHTER-S

## Lockout bar STA/STP/SGA/SGP/STM

---



**105701**  
SPERREINSATZ STP/STA

- ▶ Prevents unintentional closing of the door
- ▶ Can be secured with padlocks

## Wire front release

---



**096230**  
AE-B-A1-02,0-096230

- ▶ Can be used as escape release or emergency unlocking
- ▶ No automatic return
- ▶ Sheath length 2 m (rope length 6 m)



**097747**  
AE-B-A1-02,0-F-097747

- ▶ Can be used as escape release or emergency unlocking
- ▶ automatic return
- ▶ Sheath length 2 m (rope length 6 m)



**098313**  
AE-B-A1-03,0-098313

- ▶ Can be used as escape release or emergency unlocking
- ▶ No automatic return
- ▶ Sheath length 3 m (rope length 6 m)



**111233**  
AE-B-A1-03,0-F-111233

- ▶ Can be used as escape release or emergency unlocking
- ▶ automatic return
- ▶ Sheath length 3 m (rope length 6 m)



**098314**  
AE-B-A1-04,0-098314

- ▶ Can be used as escape release or emergency unlocking
- ▶ No automatic return
- ▶ Sheath length 4 m (rope length 6 m)



**125522**

- ▶ Can be used as escape release or



**125582**  
AE-B-A1-06,0-125582

- ▶ Can be used as escape release or emergency unlocking
- ▶ No automatic return
- ▶ Rope length 6 m (without sheath)



**124770**  
AE-B-A1-06,0-F-124770

- ▶ Can be used as escape release or emergency unlocking
- ▶ automatic return
- ▶ Rope length 6 m (without sheath)

## Mounting accessories

Mounting plates EMP-B1 for actuators for safety switches CTP, TP...A, STA, STP, TX and TZ



**093457**  
EMP-B1

Mounting plates EMP-B2 for actuators for safety switches CTP, TP...A, STA, STP, TX and TZ



**093458**  
EMP-B2

Mounting plates EMP-SB for safety switches CTP, TP...A, STA, STP and TX



**093456**  
EMP-SB

- ▶ For vertical and horizontal mounting of safety switches TP...A, STA, STP and TX

Switch bracket CTP/TP/STP GFK



**096613**  
SCHALTERAUFNAHME TP/STP GFK

- ▶ Switch bracket made of fiber glass reinforced plastic
- ▶ For left or right hinged doors

## Kapcsolatok

🏠 EUCHNER GmbH + Co. KG  
Kohlhammerstraße 16  
70771 Leinfelden-Echterdingen

☎ +49 711 7597-0

📠 +49 711 753316

✉ info(at)euchner.de

